



snake 2111 J Plus
on Iveco Daily 35S14H

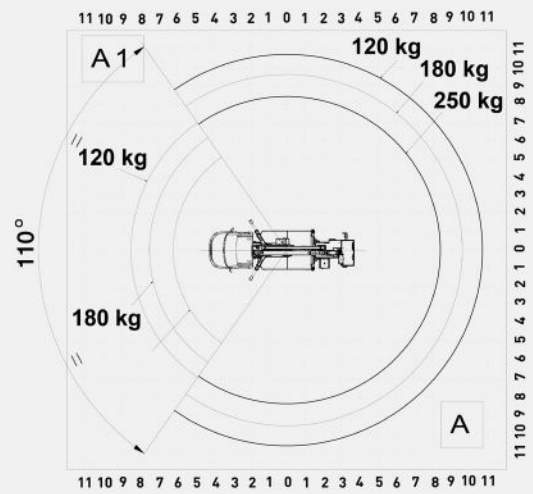
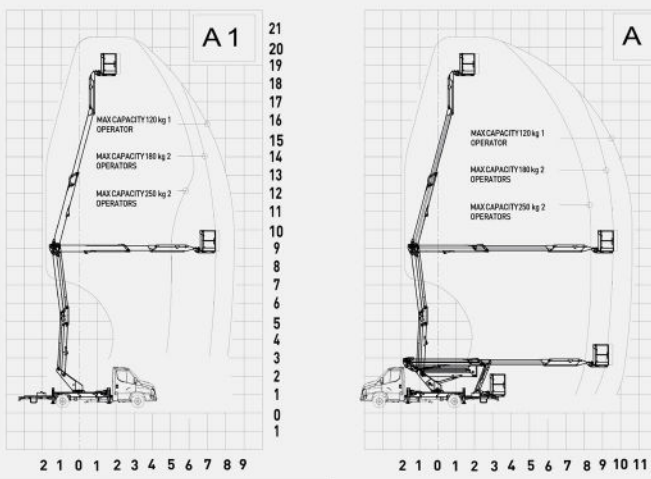
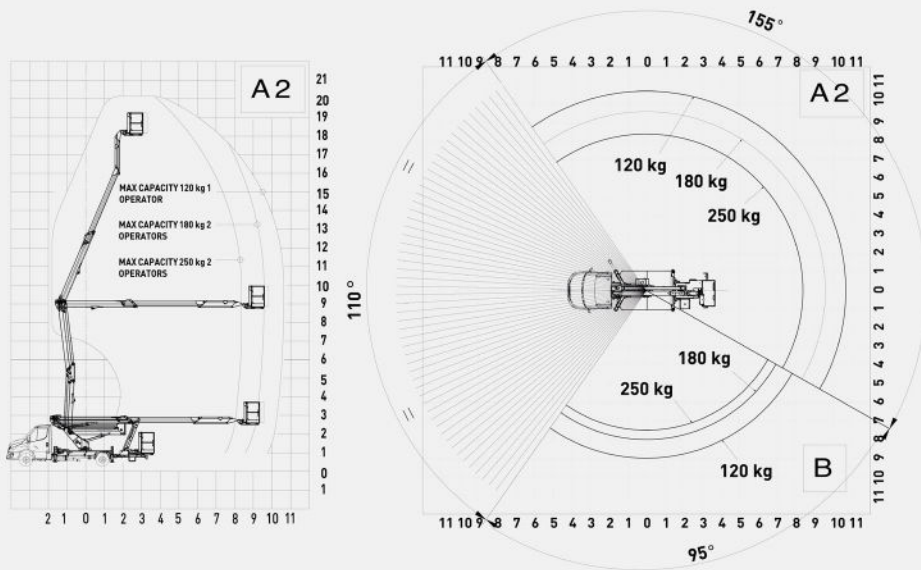


ENG

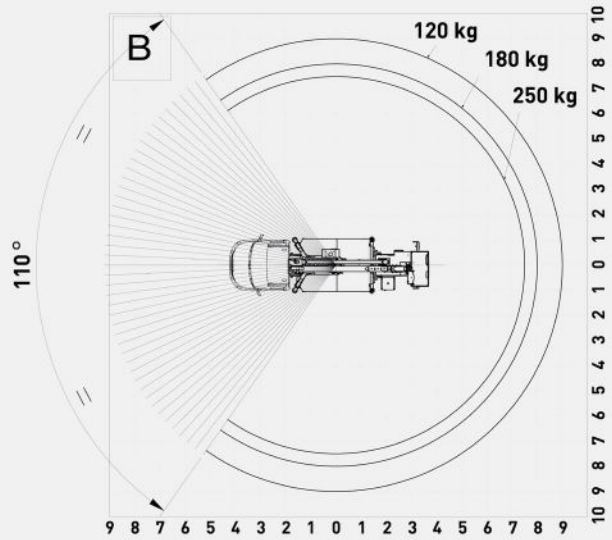
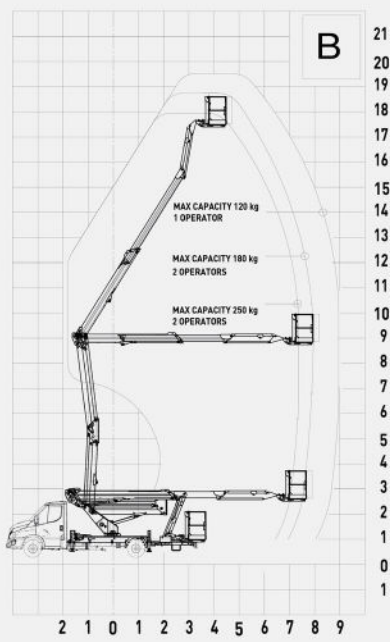


OIL & STEEL
AERIAL PLATFORMS

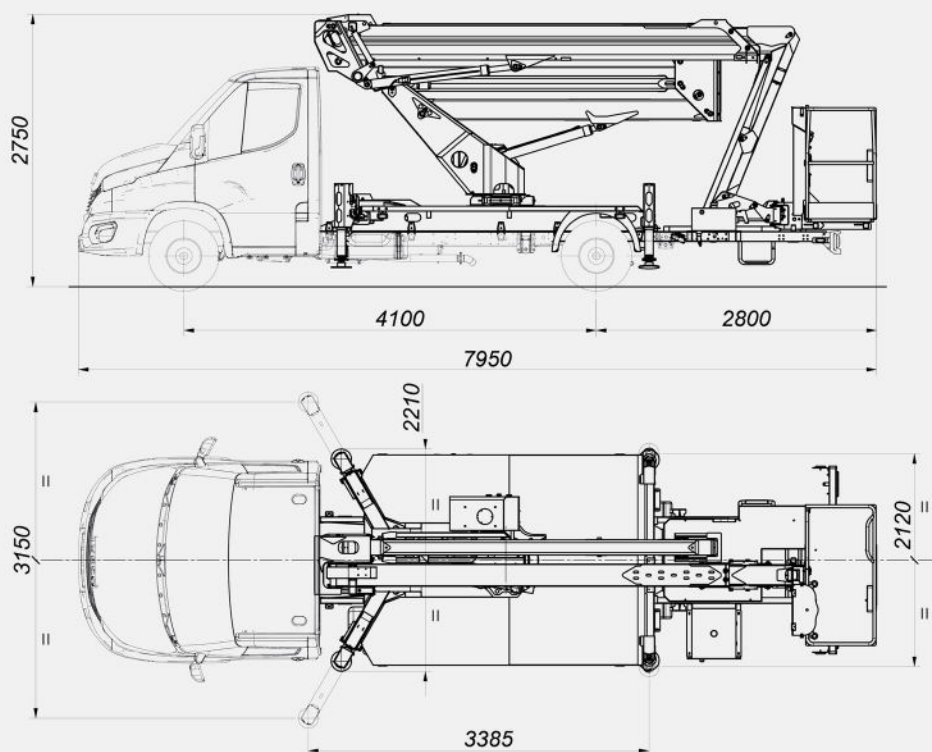
Work area



closed until boom angle 40°; Jib free with boom angle >= 40°



Technical drawings



Technical features

Max working height	20.6 m
Max outreach	10.7 m
Max basket capacity	250 kg
Basket	Alu 1.4 x 1.1 x 0.7 m
Outriggers Controls	Hydraulics [OPT electro-hydraulics]
Turret rotation	400°
Basket rotation	+/- 90°
Outriggers	HE - H
Machine length	7950 mm
Machine height	2750 mm
Machine width	2120 mm

Truck standard features

Daily 35514H p.4100mm
F1A Engine 136 hp EURO VI HD
Power windows
Central Locking with remote control
Mechanical gearbox - 6 gears
4x2 axle configuration
3.5 Ton single wheels
Height adjustable driver seat (no air suspension seat)

Aerial platform standard equipment

Truck cabin anti-collision system
Automatic start-up and shutdown of the main engine from the basket and from the column
Protective casing on the control box on the column and on the basket
Two-person aluminum basket with dimensions 1400 x 1100 x 700 mm
Electric aerial part controls
Outriggers hydraulic controls
Power takeoff hour counter fitted on the dashboard of the vehicle
Power takeoff on with no handbrake warning siren
Anti-slip aluminum decking
Hand pump for emergency descent
Single-phase, 220 or 110 v ac power socket and differential overload switch fitted on the basket
Thermal protection on the electrical system
Power takeoff with electrical start-up and automatic release
Engine emergency stop button from the basket and from the column
Hydraulic rotation of the basket 90° right - 90° left
Moment detection and limiting system
Warning lights on the hour counter inside the cabin showing pto on and when outriggers are outside the vehicle profile
Lock valves on all cylinders
Hydraulic circuit maximum pressure valves

Optional

Air conditioning system
Underride guards
Underride guards with plastic toolbox (only if plastic toolbox is included as optional)
Plastic toolbox with dimensions 480 x 400 x 400mm placed under the deck
Fiberglass basket 1400 x 700 x 1100 mm (instead of standard)
Fiberglass basket 1400 x 700 x 1100 mm + insulation 1 KV (instead of standard)
Aluminum basket with door
Auxiliary single-phase 110 V AC - 2.2 kW electrical pump (electrical control panel and battery charger powered by an external source)
Auxiliary single-phase 220 V AC - 2.2 kW electrical pump (electrical control panel and battery charger powered by an external source)
Electrical pump 12 V DC 1.6 kW for emergency descent
Extended warranty 2 years (+1 year in addition to standard warranty conditions)
Extended warranty 3 years (+2 years in addition to standard warranty conditions)
Homing function
Kit 2 harnesses
Kit 4 nylon outrigger plates
Remote connectivity kit
Junction debris protection kit
Air-water line supply to the basket
Central aluminium sheet
12V DC socket + Working light 60W on basket
12V DC socket on the basket
Oil tank protection
Red and white reflective decals on truck
Magnetic 12 V revolving blue light for truck cabin
Magnetic 12 V revolving orange light for truck cabin
Reduced capacity oil tank (40L)
Fixed side panels 100/150/200 mm height
Drop-down panels on 1 side - 100/150/200 mm height
Drop-down panels on 2 sides - h 100/150/200 mm
Boom and platform treated using corrosion-resistant paint
Truck cabin painting different from standard
Aerial part painting different from standard
2x 12V amber light rotating beacons for truck cab + bar
2x 12V amber light rotating beacons for truck cab + bar + triangle

* In case of fiberglass basket, data and performances may vary than indicated in this document.

OIL & STEEL

AERIAL PLATFORMS



PM OIL&STEEL SPA

S. Cesario sul Panaro
IT - 41018 - Modena
Via G.Verdi, 22

Tel.: +39 059 936811
Fax: +39 059 936800

info@oilsteel.com
www.oilsteel.com



Oil&Steel is a brand of Manitex International