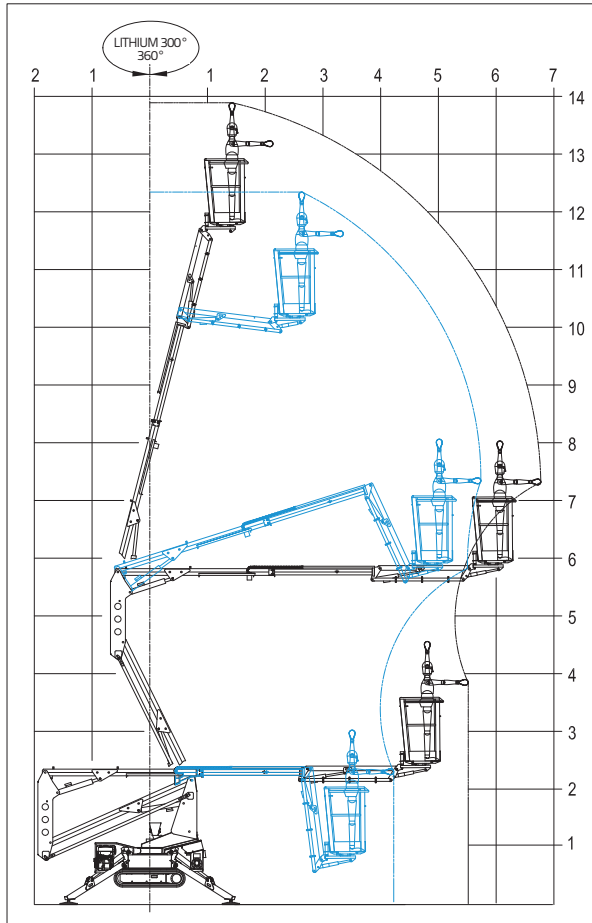
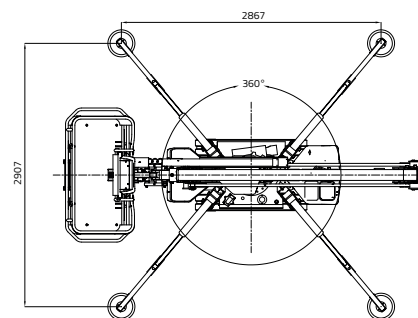
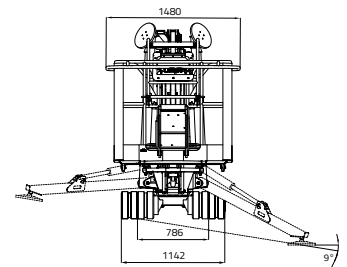
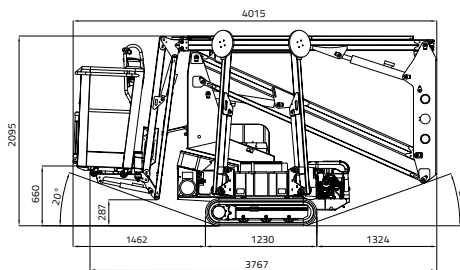


LL14.70



CAPACITY 120 KG
(1 person 80 kg + toolbox 40 kg)
CAPACITY 200 KG
(2 persons 80x2=160 kg + toolbox 40 kg)



12,25 m 13,90 m



1.335 x 690 x h 1.100 mm



Automatic set up system IIS std.



5,92 m 6,76 m



15° / 26,8%



Remote control



4,01 m



786 - 1142 mm



GPRS-GPS



3,76 m



1400 daN - 2 daN/cm²



R.A.H.M.



2,09 m



2867 x 2907 mm



Lithium-ion battery pack
4,8 kWh



PETROL ENGINE

Brand.....HONDA
 TypeGX390
 Pistons no. and displacement.....
 single-cylinder 389 cm³
 Max gross power
 11,7HP - 8,7 kW @ 3600 rpm
 Electrical start 12 volt

DIESEL ENGINE

Brand..... HATZ
 Type 1B40 - HD Autovrev
 Pistons no. and displacement.....
 single-cylinder 462 cm³
 Max gross power
 10 HP - 7,5 kW @ 3600 rpm
 Electrical start 12 volt

LITHIUM-ION SYSTEM

Lithium-ion powered 4,8 kWh
 Onboard battery charger.....
 220V 50Hz or 110V 50Hz
 Autonomy..... 4-5 h
 Recharge time on flat batteries
 4 h (indicative)
 Recharge time to 80% on flat batteries.
 2 h (indicative)

ELECTRIC MOTOR

Standard 230V / 50 Hz - 2,2 kW
 Optional 110V / 50 Hz - 2,2 kW

TRACKED UNDERCARRIAGE

Track tensioner grease-filled
 Rollers no. per side 3 + slide

Translation speed:

- thermal engine 1,3 - 2,6 km/h
 - lithium system..... 1,1 - 2,1 km/h

WEIGHT MACHINE petrol / diesel engine 1530 kg

WEIGHT MACHINE lithium system 1580 kg

MAX WIND SPEED..... 12,5 m/s