

Genie® Genie Lift™ GL™-4, GL-8, GL-10 & GL-12

Specifications

Models	GL-4		GL-8		GL-10		GL-12	
Measurements	US	METRIC	US	METRIC	US	METRIC	US	METRIC
A Height - stowed	5 ft 7.5 in	1.72 m	5 ft 7.5 in	1.72 m	6 ft 6.5 in	2.00 m	7 ft 7 in	2.31 m
Height - max. forks down	4 ft 1.5 in	1.26 m	8 ft 3 in	2.51 m	9 ft 10.5 in	3.01 m	12 ft	3.66 m
Height - max. forks up	5 ft 11 in	1.80 m	10 ft 0.5 in	3.06 m	11 ft 8 in	3.56 m	13 ft 9.5 in	4.20 m
B Standard base Length - stowed	1 ft	0.30 m	1 ft	0.30 m	—	—	—	—
B Straddle base Length - stowed	1 ft 7.25 in	0.49 m	1 ft 7.25 in	0.49 m	1 ft 7.25 in	0.49 m	1 ft 7.25 in	0.49 m
C Standard base Length - operating	2 ft 10.75 in	0.88 m	2 ft 10.75 in	0.88 m	—	—	—	—
Straddle base Length - operating	3 ft 7 in	1.09 m	3 ft 7 in	1.09 m	3 ft 7 in	1.09 m	3 ft 7 in	1.09 m
Counterweight base Length - operating	2 ft 4.5 in	0.72 m	2 ft 4.5 in	0.72 m	2 ft 4.5 in	0.72 m	—	—
C Standard base Width - platform	2 ft 0.75 in	0.63 m	2 ft 0.75 in	0.63 m	—	—	—	—
C Straddle/Counterweight base Width - stowed	2 ft 4.75 in	0.73 m	2 ft 4.75 in	0.73 m	2 ft 4.75 in	0.73 m	2 ft 4.75 in	0.73 m
C Straddle/Counterweight base Width - max.	3 ft 7.5 in	1.10 m	3 ft 7.5 in	1.10 m	3 ft 7.5 in	1.10 m	3 ft 7.5 in	1.10 m
C Straddle/Counterweight base Width - max. inside	3 ft	0.91 m	3 ft	0.91 m	3 ft	0.91 m	3 ft	0.91 m

Productivity

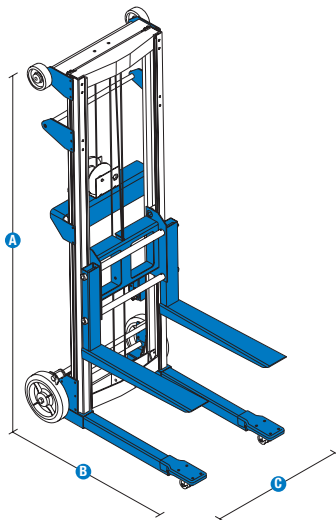
Load height min. (forks down)	3.5 in	9 cm	3.5 in	9 cm	3.5 in	9 cm	3.5 in	9 cm
Load height min. (straddle Base)	2 in	5.1 cm	2 in	5.1 cm	2 in	5.1 cm	2 in	5.1 cm
Ground clearance - center (1) (2) (3)	0.75 in	2 cm	0.75 in	2 cm	0.75 in	2 cm	0.75 in	2 cm
Average cranks - standard winch	11.5/ ft	38/m	11.5/ ft	38/m	11.5/ ft	38/m	11.5/ ft	38/m
Fork length	1 ft 10.5 in	0.57 m	1 ft 10.5 in	0.57 m	1 ft 10.5 in	0.57 m	1 ft 10.5 in	0.57 m
Fork width - outside	1 ft 8.5 in	0.52 m	1 ft 8.5 in	0.52 m	1 ft 8.5 in	0.52 m	1 ft 8.5 in	0.52 m
Fork width - inside	13 in	33 cm	13 in	33 cm	13 in	33 cm	13 in	33 cm
Load platform length	1 ft 11 in	0.58 m	1 ft 11 in	0.58 m	1 ft 11 in	0.58 m	1 ft 11 in	0.58 m
Load platform width	1 ft 10 in	0.56 m	1 ft 10 in	0.56 m	1 ft 10 in	0.56 m	1 ft 10 in	0.56 m
Load capacity at 14 in (36 cm) load center	500 lb	227 kg	400 lb	182 kg	350 lb	159 kg	350 lb	159 kg
Boom length	20.19 in	51 cm	20.19 in	51 cm	20.19 in	51 cm	20.19 in	51 cm
Boom attachment points	13.25/19 in	34/48 cm	13.25/19 in	34/48 cm	13.25/19 in	34/48 cm	13.25/19 in	34/48 cm

Power

Average cranks - per length unit	14/ft	46/m	14/ft	46/m	14/ft	46/m	14/ft	46/m
Standard winch - carriage moving	14/ft	46/m	14/ft	46/m	14/ft	46/m	14/ft	46/m
Standard winch - mast moving	6.5/ft	21.3/m	6.5/ft	21.3/m	6.5/ft	21.3/m	6.5/ft	21.3/m

Weight and Floor Loading

Weight - Standard base standard caster options	113 lb	51 kg	132 lb	60 kg	—	—	—	—
Weight - Standard base pneumatic caster options	117 lb	53 kg	136 lb	62 kg	—	—	—	—
Weight - Straddle base standard caster options	126 lb	57 kg	145 lb	66 kg	149 lb	68 kg	154 lb	70 kg
Weight - Straddle base pneumatic caster options	130 lb	59 kg	149 lb	68 kg	153 lb	69 kg	158 lb	72 kg
Weight - 4-point caster option A	137 lb	62 kg	158 lb	72 kg	162 lb	73 kg	167 lb	76 kg
Weight - 4-point caster option B	139 lb	63 kg	160 lb	73 kg	164 lb	75 kg	169 lb	77 kg
Weight - Counterweight base standard caster options	392 lb	178 kg	411 lb	186 kg	433 lb	196 kg	—	—



Genie® Genie Lift™ GL™-4, GL-8, GL-10 & GL-12

SKU: Standard Model

- **GL400001A00004:** GL-4 Standard base
- GL-4 Straddle base*
- GL-4 Counterweight base*

* Build to Order

SKU: Standard Model

- **GL800001A00001:** GL-8 Standard base
- GL-8 Straddle base*
- GL-8 Counterweight base*

Option availability		S	S+	BtO
Chassis	Foot-release brakes			○
	Portable compact design for easy transport and storage	✓	✓	✓
	Quick setup requires no tools	✓	✓	✓
	Rolls easily through single door	✓	✓	✓
Mast	One-speed manual winch, locks load in place	✓	✓	✓
	Reversible winch handle for easy storage	✓	✓	✓
	Transport carriage lock	✓	✓	✓
Wheels	10in/25.4cm pneumatic rear wheels and 2.5in/6.4cm front swivel (Standard, Straddle)			○
	4-point swivel caster A: 4in/10.2cm rear, 2in/5.1cm front (Straddle)			○
	4-point swivel caster B: 5in/12.7cm rear, 2in/6.4cm front (Straddle)			○
	5in/12cm rear swivel casters, 4in/10cm fixed front wheels (Counterweight)	✓	✓	✓
	8in/20.32cm rear and 2in/5cm front, solid non-marking wheels and casters (Standard, Straddle)	✓	✓	✓
Attachments	Ladder			○
	Durable standard steel forks	✓	✓	✓
	Boom		○	○
	Load platform		○	○

- S Standard
- S+ Standard +
- BtO Build to Order
- ✓ Standard Features
- Options



Lightweight



Truck Portable



Material Handling Attachments



Genie Genuine Accessories⁽¹⁾

(1) More accessories available from Genie Genuine Parts.

Product specifications are subject to change without notice or obligation. Photographs and/or drawings herein are for illustrative purposes only. Refer to the appropriate Operator's Manual for instructions on proper equipment use. Failure to follow instructions in the Operator's Manual may result in serious injury or death. The only warranty applicable to our equipment is the standard written warranty applicable to the particular product and sale and we make no other warranty, express or implied. Products and services listed may be trademarks, service marks or trade names of Terex Corporation and/or their subsidiaries in the USA and many other countries. Terex, Genie, Xtra Capacity, Lift Power, Lift Guard, Lift Tools, Lift Connect and Tech Pro Link are registered trademarks of Terex Corporation or its subsidiaries.