



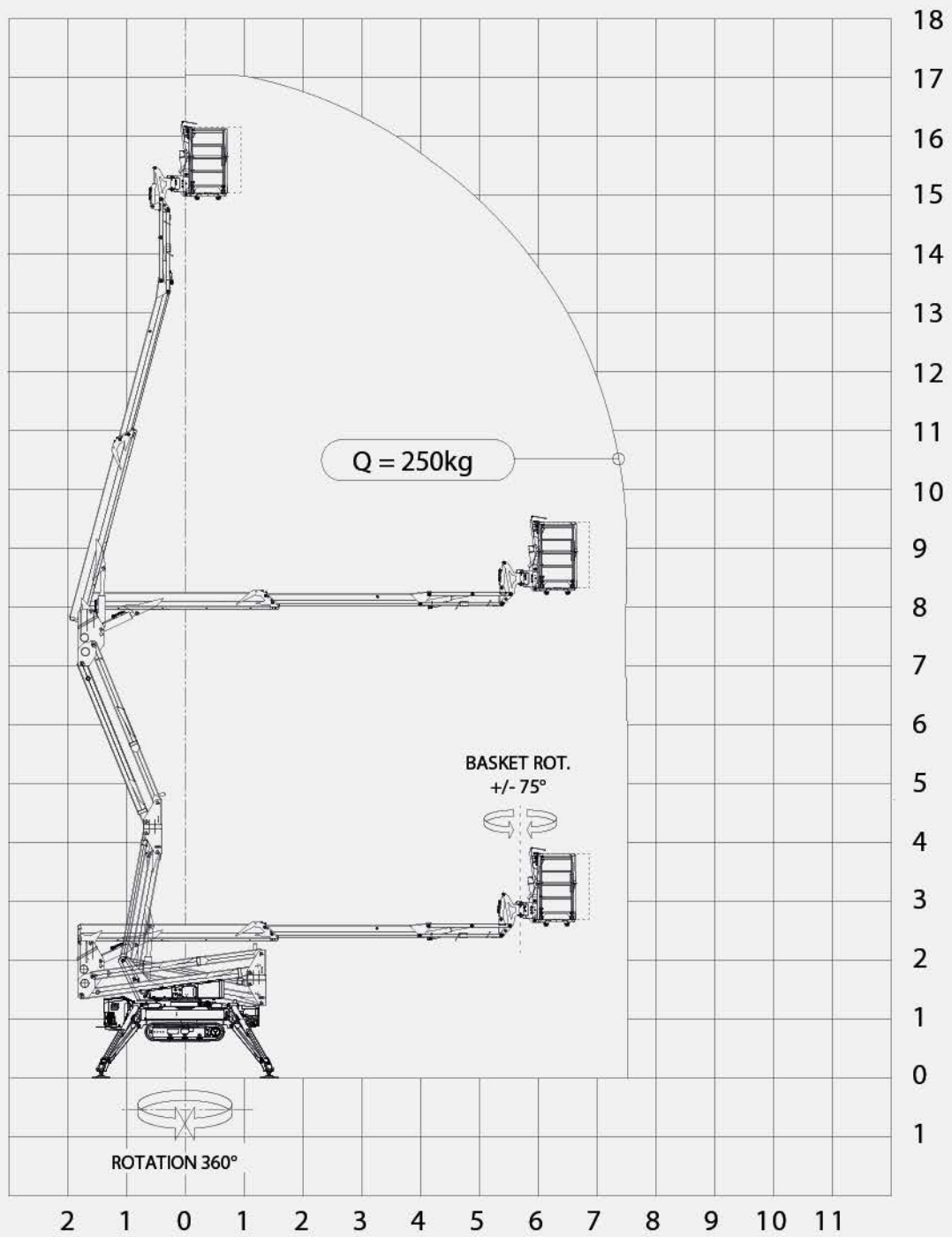
octo.plus 17



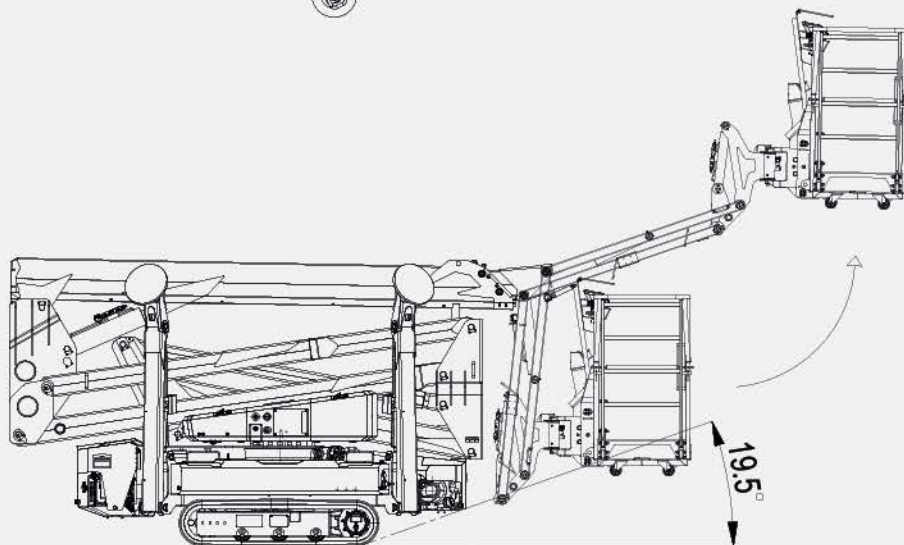
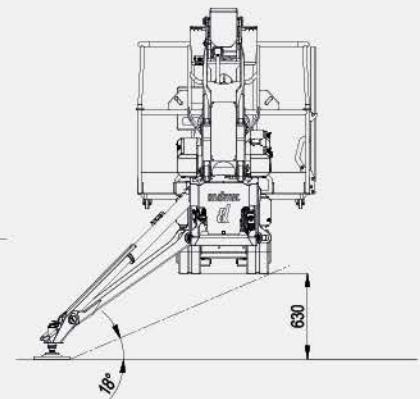
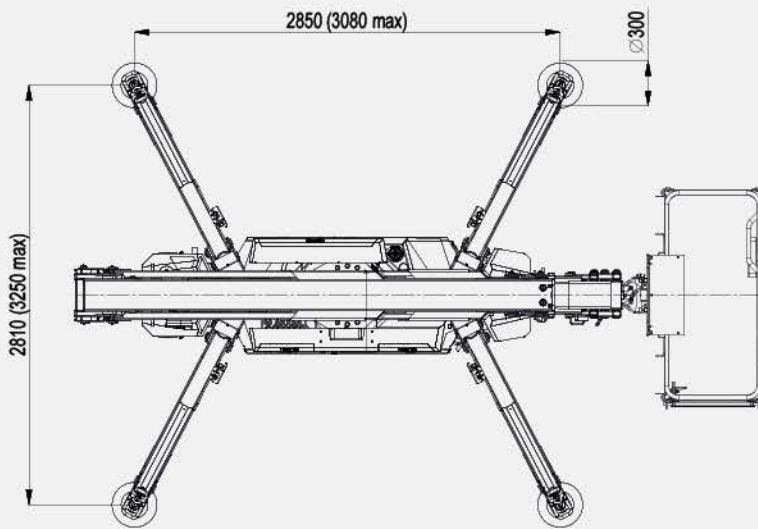
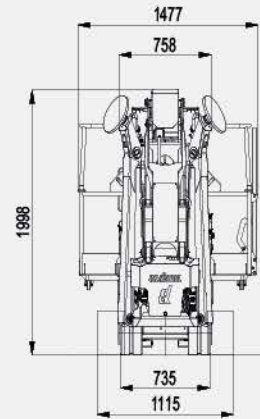
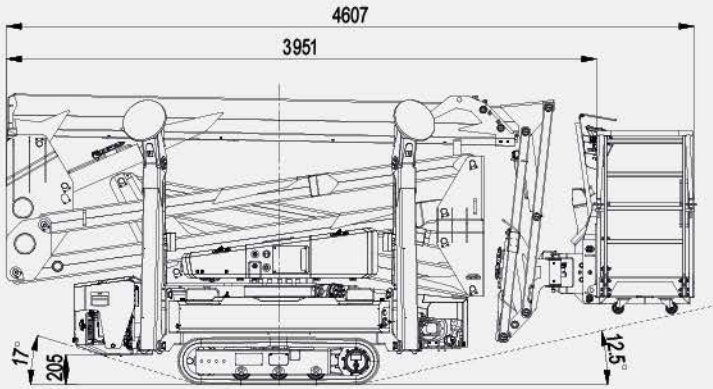
ENG



Work area



Technical drawings



STANDARD EQUIPMENT	OPTIONAL
Proportional electro-hydraulic controls	1 person aluminium basket 0.8 m
Tracks driven by variable displacement motors and braking system	Aluminium basket 1.8 m
Extendable tracks	7" Display on column
Remote control with display and cable/battery charger in the basket	Increased column rotation +/-210°
Battery AGM 95Ah	Diesel Hatz 1B50E 10 HP CAN engine with 5L tank
40 L oil tank	7.4 kWh - 73.6V battery pack 72V 4kW engine Full charge: 5.5h
Easily removable chassis protection covers	White non-marking tracks
Automatic stabilization and slope sensor	Junction debris protection kit
Emergency lowering valves and hand pump	Emergency pump 12Vdc 1.5kW
Aluminium basket 1.4 m with ladder	1-phase electric motor 110Vac / 50Hz / 1.1kW
110 V socket in basket	1-phase electric motor 220Vac / 60Hz / 2.2kW
Double USB charging socket in the basket	Double air-water line
Black tracks	Homing / Memory function
4" Display on column	Lateral storage box
380mm hydraulically extendable undercarriage	12Vdc light in basket
Internal telescopic cylinder Hoses and cables inside the boom	Outrigger pads ϕ 200 mm
Load / unload system to allow an easy load on trailers and trucks	7" Display protection
1-phase electric motor 220Vac / 50Hz / 2.2kW	Cable for radio control in the basket
Electronic RPM control	7" and wired/remote control display logo customization
3 travel speeds	Aluminium basket 1.4 m - right side entrance
Anticorrosion treatment, stainless steel screws	Painting different from standard
Machine start-up button on column	Customized labels
Manual emergency controls on column	Outrigger pads
Key allowing to bypass mechanical failure in case of emergency	Two security harnesses kit
Removable basket with set of wheels for transportation when dismantled	Basket proximity sensor kit (anti-collision)
Master-slave hydraulic leveling system	Activation of only one chosen work area with consequent block of the other areas
Engines start-up using wired control or the display on column	Extended warranty programs
Counterbalance valves on cylinders	Extensión de garantía
Pressure relief valves	
Hour meter	
24 months warranty	

Technical features

Max working height	17 m	Basket height	1.1 m
Max platform height	15 m	Basket length	1.4 m
Max horizontal working outreach	7.6 m	Basket width	0.7 m
Up and over height	7.6 m	Transport length	4.6 m
Max load capacity	250 kg	Transport length without basket	3.9 m
Aerial part controls	Radio remote control	Transport height	1.98 m
Outriggers - Crawler controls	Radio remote control	Min transport width	0.785 m
Basket material and dimensions	Aluminium 1.4 x 0.7 x 1.1 m	Max chassis height from the ground	0.2 m
Jib - working degree	116°	Tracks dimensions	1.35 x 0.18 m
Jib - degree of rotation	NA	Open outriggers footprint	2.87 x 2.83 m
Basket - degree of rotation	+/- 75°	Semi-open outriggers footprint	NA
Column - degree of rotation	+/- 180°	Closed outriggers footprint	NA
Stabilization on a ground slope of	18°	Outrigger plate dimensions	0.3 m
Stabilization height	0.63 m	Min total weight	2330 kg
Tracks width (Closed-Open)	0.735 - 1.115 m	Max ground pressure on tracks	0.95 daN/cm ²
Max slope allowed in travel mode	35% rear (30% with battery pack) - 27% front	Max ground pressure on stabilizers	3.98 daN/cm ²
Max travel speed	2.5 km/h (1.6 km/h with battery pack)	Max reaction of stabilizers	1251 daN
Variable outriggers footprint	NA	Combustion engine STD	Gasoline Honda Igx390 11.7HP
Homing / Memory function	Optional	Fuel tank	6 l
Automatic stabilization	✓	Electric motor STD	1-phase 2.2 kW 230Vac
Load - Unload system	✓	Combustion engine OPT	Diesel Hatz 1B50E 10 HP
Emergency lowering system	✓	Battery pack OPT *	73.6 V - 7.4 kWh - 4kW Engine

* Combustion engine is excluded



PM OIL&STEEL SPA
S. Cesario sul Panaro
IT - 41018 - Modena
Via G.Verdi, 22

Tel.: +39 059 936811
Fax: +39 059 936800

info@oilsteel.com
www.oilsteel.com



Oil&Steel is a brand of Manitex International